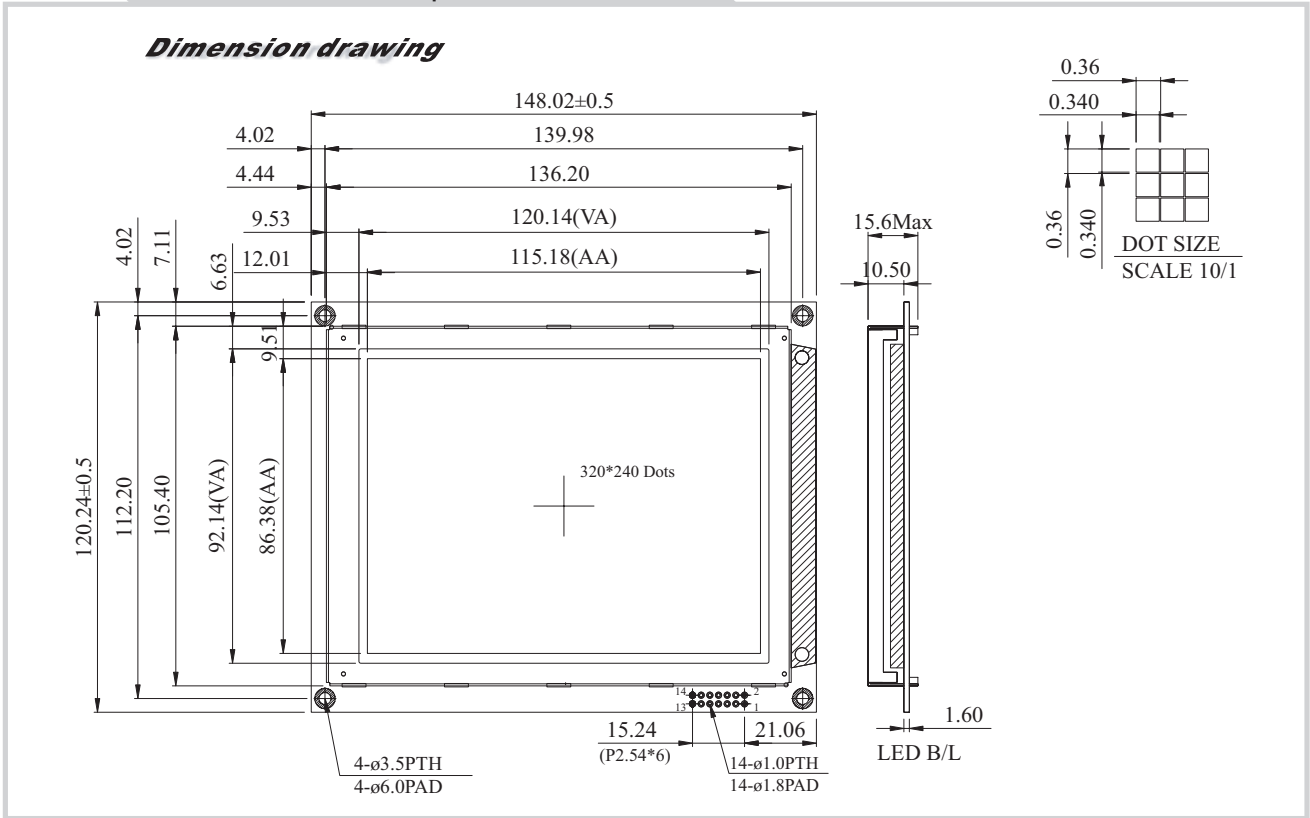


WG320240H Graphic 320x240 dots



Graphic type

Feature

1. 320x240 dots
2. +5V power supply
3. 1/240 duty cycle
4. No controller
5. Touch screen option(analog type)

Mechanical Data

Item	Standard Value	Unit
Module Dimension	148.02x120.24	mm
Viewing Area	120.14x92.14	mm
Mounting hole	139.98x112.2	mm
Dot Pitch	0.36x0.36	mm

Pin NO.	Symbol	Function
1	DB0	Data bus line
2	DB1	Data bus line
3	DB2	Data bus line
4	DB3	Data bus line
5	DISPOFF	H: Display ON, L: Display OFF
6	FLM	Scan start-up signal
7	M(N.C)	Frame reverse signal(alternate signal)
8	CL1(LP)	Data latch pulse
9	CL2(CP)	Data shift pulse
10	Vdd	Power supply for logic
11	Vss	Ground
12	Vee	Negative Voltage Output(Built-in)
13	Vo	Driving voltage for LCD
14	FGND	Frame Ground

Absolute Maximum Rating

Item	Symbol	Standard Value			Unit
		min.	typ.	max.	
Power Supply	VDD-VSS	4.75	5.0	5.25	V
Input Voltage	VI	-0.3	---	VDD	V

Note: VSS=0 Volt , VDD=5.0 Volt .

Electronical Characteristics

Item	Symbol	Condition	Standard Value			Unit
			min.	typ.	max.	
Input Voltage	VDD	---	2.7	---	5.5	V
Supply Current	IDD	VDD=5V	---	---	---	mA
Recommended LC Driving Voltage for Normal Temp. Version module	VDD-VO	-20°C	---	---	26.5	V
		25°C	---	24.0	---	
		70°C	22.1	---	---	
CCFL Starting Voltage	VFLS	25°C	---	600	---	Vrms
CCFL Driving Voltage	VFLD	25°C	216	270	405	Vrms
CCFL Driving Current	IFLD	VFG=450Vrms 30KHZ	5.1	5.3	5.5	mA
LED Forward Voltage	VF	25°C	3.4	3.5	3.6	V
LED Forward Current	IF	25°C	128	160	240	mA
EL Power Supply Current	IEF	Vel=110VAC,400Hz	---	---	5.0	mA