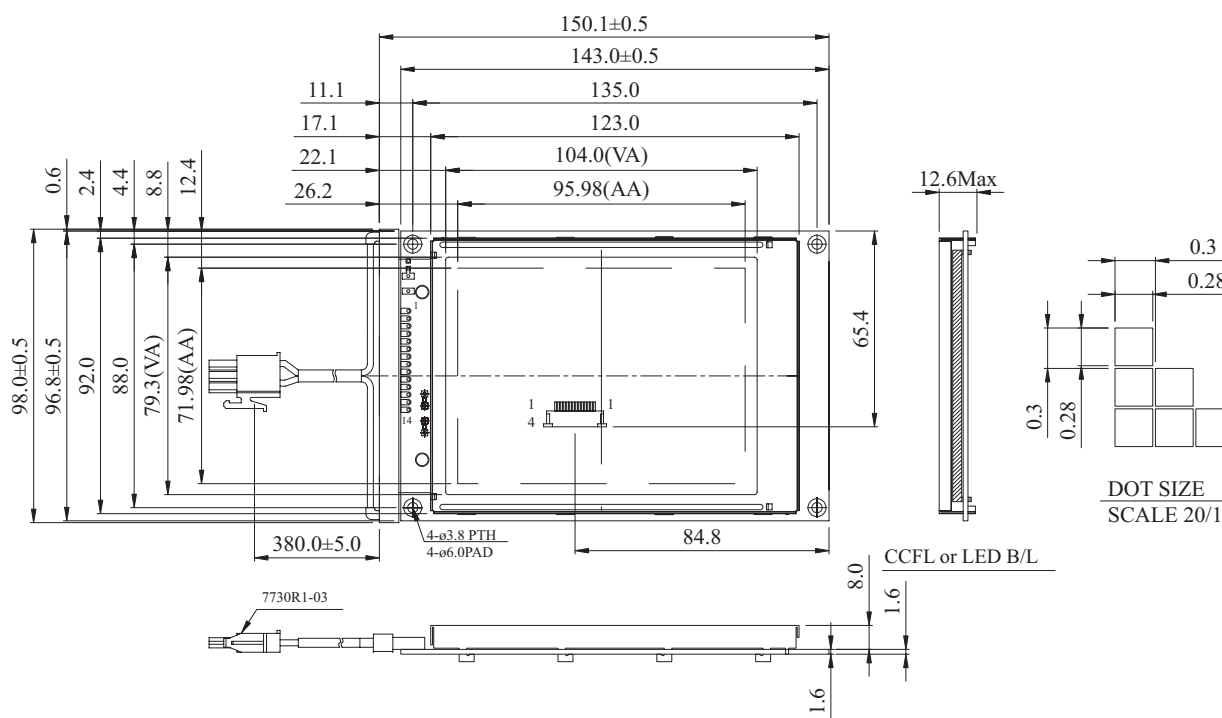




WG320240E Graphic 320x240dots

Dimension drawing



Feature

1. 320x240 dots
2. +5V power supply
3. 1/240 duty cycle
4. No controller
5. Touch screen option

Mechanical Data

Item	Standard Value	Unit
Module Dimension	143.0x96.8	mm
Viewing Area	104.0x79.3	mm
Mounting hole	135.0x88.0	mm
Dot Pitch	0.3x0.3	mm

Graphic type

Pin NO.	Symbol	Function
1	FRAME	First line marker
2	NC	No connection
3	LOAD	Data latch
4	CP	Data shift
5	DISPOFF	H:Display ON L:Display OFF
6	D	Data bus line
7	D1	Data bus line
8	D2	Data bus line
9	D3	Data bus line
10	Vdd	Power supply for logic
11	Vss	GND
12	Vee	Negative voltage
13	Vo	Operating voltage LCD driving
14	FG	Fix hole ground

Absolute Maximum Rating

Item	Symbol	Standard Value			Unit
		min.	typ.	max.	
Power Supply	VDD-VSS	4.75	5.0	5.25	V
Input Voltage	VI	-0.3	---	VDD	V

Note : VSS=0 Volt, VDD=5.0 Volt.

Electrical Characteristics

Item	Symbol	Condition	Standard Value			Unit
			min.	typ.	max.	
Input Voltage	VDD	L level	0.7V _{DD}	---	V _{DD}	V
	VIO	H level	0	---	0.3V _{DD}	V
Supply Current	IDD	VDD=5V	---	10.0	15.0	mA
Recommended LC Driving Voltage for Normal Temp. Version module	VDD-V0	-20°C	---	---	26.1	V
		25°C	---	23.8	---	
		70°C	20.9	---	---	
CCFL Starting Voltage	VFLS	25°C	---	600	---	Vrms
CCFL Driving Voltage	VFLD	25°C	---	268	---	Vrms
CCFL Driving Current	IFLD	VFQ=450Vrms 30KHZ	---	5.0	---	mA _{rms}