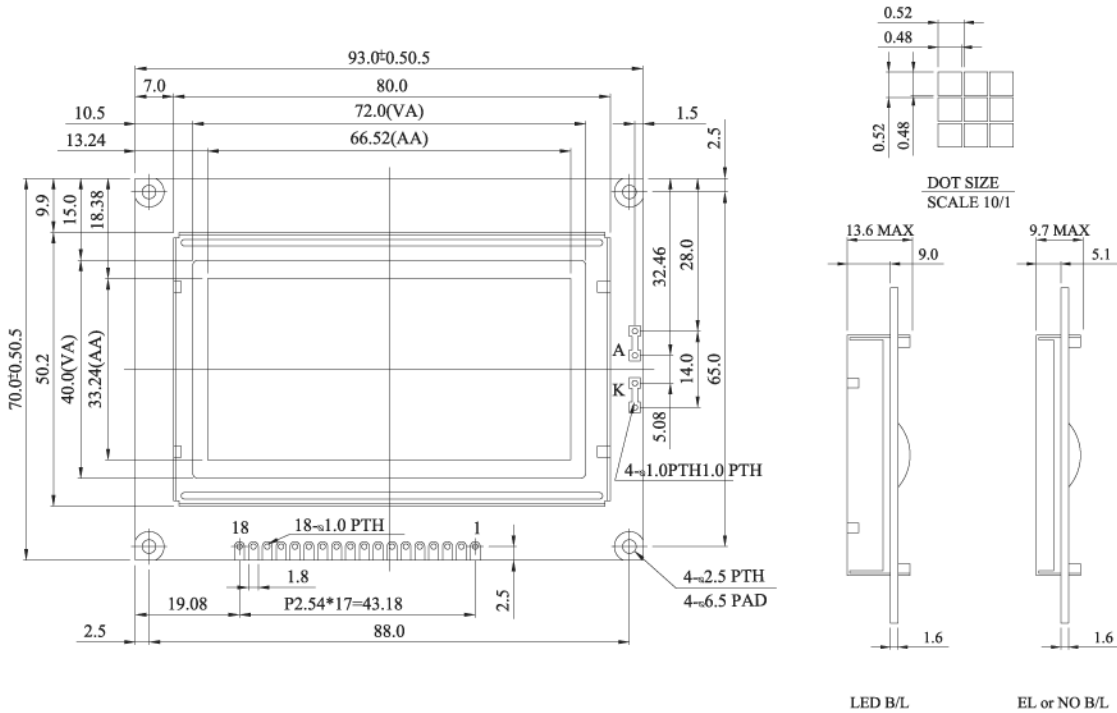




WG12864J Graphic 128x64dots

Dimension drawing



Feature

- Character mode:
Display BIG5 or GB Chinese font(16x16dots)
and ASCII code (8x16dots)
- Graphic mode:128x64dots
- Built-in controller(ST7920)
- +5V power supply
- 1/32 duty cycle
- LED can be driven by A and K
- N.V. option

Pin NO.	Symbol	Function
1	Vss	GND
2	Vdd	Power supply (+5V)
3	V0	Positive voltage input for LCD
4	RS	Register select signal
5	R/W	Data read/write
6	E	H→L Enable signal
7	DB0	Data bus line
8	DB1	Data bus line
9	DB2	Data bus line
10	DB3	Data bus line
11	DB4	Data bus line
12	DB5	Data bus line
13	DB6	Data bus line
14	DB7	Data bus line
15	A	Power supply for B/L
16	K	Power supply for B/L
17	RST	Reset LCD module
18	Vout	Positive Voltage output

Mechanical Data

Item	Standard Value	Unit
Module Dimension	93.0x70.0	mm
Viewing Area	72.0x40.0	mm
Mounting hole	88.0x65.0	mm
Dot Pitch	0.52x0.52	mm

Absolute Maximum Rating

Item	Symbol	Standard Value			Unit
		min.	typ.	max.	
Power Supply	VDD-VSS	4.75	5.0	5.25	V
Input Voltage	VI	-0.3	---	VDD	V

Note : VSS=0 Volt, VDD=5.0 Volt.

Electronical Characteristics

Item	Symbol	Condition	Standard Value			Unit
			min.	typ.	max.	
Input Voltage	VDD	L level	0.7VDD	---	VDD	V
	VIO	H level	0	---	0.3VDD	V
Supply Current	IDD	VDD=5V	---	3.6	3.9	mA
Recommended LC Driving Voltage for Normal Temp. Version module	Vo-Vss	-20°C	7.1	7.6	8.1	V
		0°C	---	---	---	
		25°C	6.1	6.6	7.1	
		50°C	---	---	---	
LED Forward Voltage	VF	25°C	---	4.2	4.6	V
		70°C	5.0	5.5	6.0	
LED Forward Current	IF	25°C	---	330	660	mA
EL	IEL	Vel=110VAC;400Hz	---	---	5.0	mA

Display Character Address Code :

Display position	1	2	3	4	5	6	7	8	9	10	11	12	13	...	16
DD RAM Address	80	81													8F
DD RAM Address	90	91													9F
DD RAM Address	A0	A1													AF
DD RAM Address	B1	B0													BF

Graphic type