

YOUR ADVANTAGE

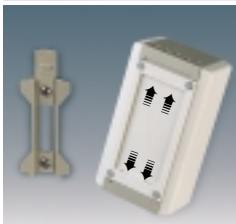
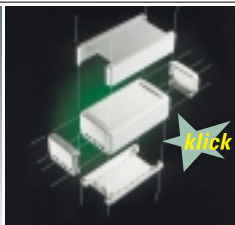
- Aesthetic design for indoor applications as a desk top or wall-mounting system.
- Saves you time and costs. Through simple, screwless case assembly.
- Base part with lateral opening for quick and easy equipping from all sides.
- For the first time electronic parts and interfaces can be installed as a complete package.
- Removable end panels, available with or without ventilation slots.
- High and flat top part.
- Ideal wall-mounting without changing the case design due to hidden wall-suspension element with snap-in locking device. Preshaped pockets within the bottom of the case allow quick locking of each case onto the wall-suspension element.
- Recessed control area for membrane keyboards.

STANDARD COLOURS

Two-coloured: Base and top part off-white, RAL 9002. End panels pebble grey, RAL 7032.
One-coloured: black, RAL 9005. Textured surface. Please refer to colour chart on page 214.

MATERIAL

Two-coloured: Impact-resistant Polystyrene (UL 94 HB).
One-coloured: ABS (UL 94 HB). Please refer to the specifications on pages 215-217.



APPLICATIONS

Universal case for electronic and electro-technical devices as well as control systems. For indoor application as a table-top unit or a wall-mounting case. For example, for monitoring purposes as check instruments, signalling equipment and control systems, medical field and laboratory technology, computer peripherals, etc.



Interfaces are already soldered onto the main PCB: TOPTEC allows the mounting of preassembled electronic packages with end panels that can be removed laterally.

In this way the PCBs can be equipped on both parts with interfaces which protrude over the actual width of the case. Mounting the connectors in the case wall can be achieved without the need for connecting the cable to the PCB.

TOP DESIGN AND TECHNOLOGY...

... this case innovation will meet your special requirements.

Soft contours and flat surface provide an individual appearance. Without much ado, simply by adding colours and a special layout. A modern alternative for interior applications.

The TOPTEC case system offers the highest possible quality of mounting. With easy access to the component parts and for efficient equipping of PCBs and D-sub-plug connectors.

MODIFICATIONS AS PER CUSTOMER'S REQUIREMENTS

Machining on modern CNC-controlled machines. Lacquering. Silk screen and tamper printing. See pages 210-213.

TOPTEC 102, 123 H, 154 H, 194 H

DESIGN

Electronic case – high version.

Fastening towers for the mounting of PCBs in the top and base (except TOPTEC 102 – only in bottom). The fastening towers are compatible with similar cases.

ASSEMBLY

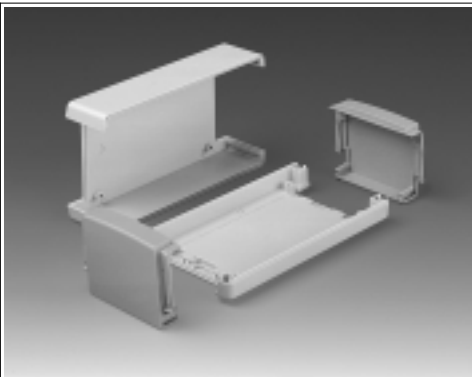
Both end panels plugged in laterally on the base part, top attached and snapped in the end panels.

The snap-in fasteners easily unlock by exerting light pressure – and by using a screwdriver – slots accessible from the outside.

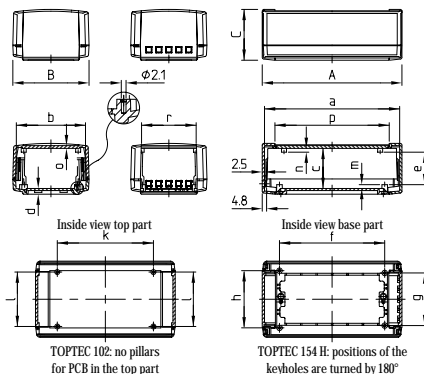
SUPPLY

1 case-top and 1 base,
2 end panels.

Anti-slide-feet with self-adhesive foil, max. \varnothing 7 mm, see accessory page 201.



Detailed drawing available on demand in dwg or dxf format.



PROTECTION
CLASS IP 40

VERSION I
Without ventilation slots.

VERSION II
With ventilation slots.

CASE

TOPTEC	Outside dim. in mm			Inside dim. in mm					Spacings in mm											Version
	A	B	C	a	b	c	d	e	f	g	h	k	l	m	n	o	p	r		
102	102	54	30	97	47.5	20	5.6	15.6	66	28	33	-	-	4.4	-	2.4	83	38	I	
	102	54	30	92.4	47.5	20	5.6	15.6	66	28	33	-	-	4.4	-	2.4	83	38	II	
123 H	123	68	45	118	60.5	34.1	5.9	25.5	86	43	48	86	48	4.2	4.4	2.8	101	48	I	
	123	68	45	113.4	60.5	34.1	5.9	25.5	86	43	48	86	48	4.2	4.4	2.8	101	48	II	
154 H	154	84	56	149	76	44.2	6.3	35.8	116	58	63	106	60	4.2	4.2	3	126	60	I	
	154	84	56	144.4	76	44.2	6.3	35.8	116	58	63	106	60	4.2	4.2	3	126	60	II	
194 H	194	115	68	189	106	54.2	7.8	45.8	151.5	85	90	153.7	89	4.2	4.2	3	163.6	85	I	
	194	115	68	184.4	106	54.2	7.8	45.8	151.5	85	90	153.7	89	4.2	4.2	3	163.6	85	II	

ACCESSORIES

Article	Version / Supply	RAL 7032	RAL 9005
Wall-suspension element	for TOPTEC 102, plastic, 1 wall-suspension element	B 13 40 028	B 13 40 029
	for TOPTEC 123 H, plastic, 1 wall-suspension element	B 13 50 028	B 13 50 029
	for TOPTEC 154 H, plastic, 1 wall-suspension element	B 13 60 028	B 13 60 029
	for TOPTEC 194 H, plastic, 1 wall-suspension element	B 13 70 028	B 13 70 029
Set of screws	for mounting PCBs, \varnothing 2.5 mm x 6 mm, 4 pieces per set	A 91 99 008	

TOPTEC

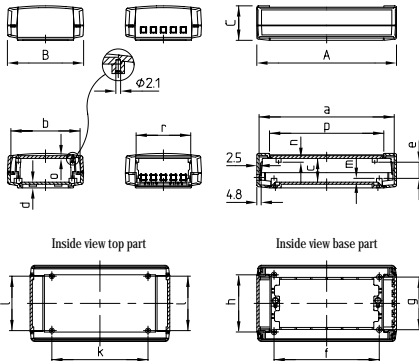
TOPTEC



PROTECTION
CLASS IP 40



Detailed drawing available on demand in dwg or dxf format.



DESIGN

Electronic case – flat version.

Fastening towers for the mounting of PCBs in top and base.

The fastening towers are compatible with similar cases.

ASSEMBLY

Both end panels plugged in laterally on the base part, top attached and snapped in the end panels.

The snap-in fasteners easily unlock by exerting light pressure – and by using a screwdriver – slots accessible from the outside.

SUPPLY

1 case-top and base,
2 end panels.

Anti-slide-feet with self-adhesive foil, max. ϕ 7 mm, see accessory page 201.

VERSION I

Without ventilation slots.

VERSION II

With ventilation slots.

Part-No.		TOPTEC	Outside dim. in mm			Inside dim. in mm			Spacings in mm											Version	
RAL 9002/7032	RAL 9005		A	B	C	a	b	c	d	e	f	g	h	k	l	m	n	o	p		r
B 10 55 365	B 10 55 369	123 F	123	68	30	118	60.6	19.1	5.9	10.5	86	43	48	86	48	4.2	4.4	2.8	101	48	I
B 10 65 465	B 10 65 469	123 F	123	68	30	113.4	60.6	19.1	5.9	10.5	86	43	48	86	48	4.2	4.4	2.8	101	48	II
B 10 65 365	B 10 65 369	154 F	154	84	38	149	75.6	26.2	6.3	17.8	116	58	63	106	60	4.2	4.2	3	126	60	I
B 10 65 465	B 10 65 469	154 F	154	84	38	144.4	75.6	26.2	6.3	17.8	116	58	63	106	60	4.2	4.2	3	126	60	II
B 10 75 365	B 10 75 369	194 F	194	115	46	189	107.6	32.2	7.8	23.8	151.5	85	90	153.7	89	4.2	4.2	3	163.6	85	I
B 10 75 465	B 10 75 469	194 F	194	115	46	184.4	107.6	32.2	7.8	23.8	151.5	85	90	153.7	89	4.2	4.2	3	163.6	85	II
RAL 7032		ACCESSORIES																			
B 13 50 028	B 13 50 029	Article		Version / Supply																	
B 13 60 028	B 13 60 029	Wall-suspension element		for TOPTEC 123 F, plastic, 1 wall-suspension element																	
B 13 70 028	B 13 70 029	Wall-suspension element		for TOPTEC 154 F, plastic, 1 wall-suspension element																	
A 91 99 008		Set of screws		for TOPTEC 194 F, plastic, 1 wall-suspension element																	
A 91 99 008		Set of screws		for mounting PCBs, ϕ 2.5 mm x 6 mm, 4 pieces per set																	