

Разъемы DIN41612

Характеристики:

Материал: контактов фосфорная бронза
 изолятора полистирол, усиленный стекловолокном
 UL-94V-0

Предельные: ток 2A
 напряжение 1000В в течение 1 мин.

Сопротивление: контактов не более 0,02 Ом
 изолятора не менее 100МОм

Диапазон температур: -55 - +105С

Серия 612В двухрядные



Pitch	Position	Rows with Contacts
2.54mm	64	ab
	32	a-
5.08mm	32	ab
	16	a-

X Length	1	2	W1	W2
Male	2.9mm			
Female	4.0mm	13mm	17mm	

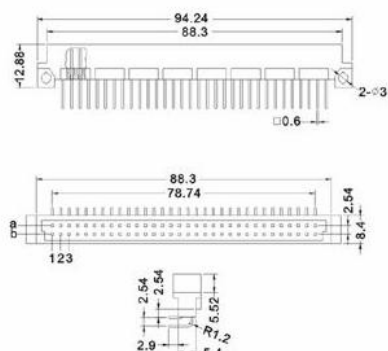
Specifications:

Contact Resistance: 30mΩ max.at DC 100 mA
 Insulator Resistance: 1000MΩ min.at DC 500V
 Current Rating: 2AMP

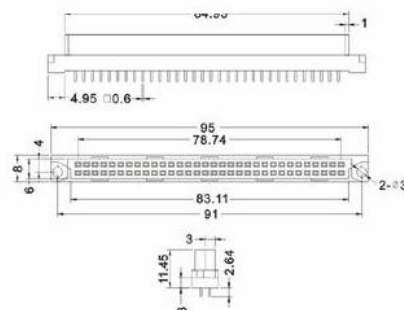
Dielectric Withstanding

Voltage: AC 1000V For 1 minute
 Operating Temperature: -55° C--+105° C
 Contact: Male Brass
 Female Phosphor Bronze
 Housing: PBT &30% Glass Fiber(UL 94V-0)

Вилка



Розетка



Серия 612С трехрядные



Pitch	Position	Rows with Contacts
2.54mm	96	abc
	64	a-c
5.08mm	48	abc
	32	a-c

X Length	1	2	W1	W2
Male	2.9mm			
Female	4.0mm		13mm	17mm

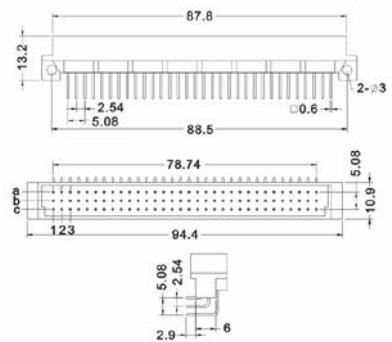
Specifications:

Contact Resistance: 30m Ω max. at DC 100 mA
 Insulator Resistance: 1000M Ω min. at DC 500V
 Current Rating: 2AMP

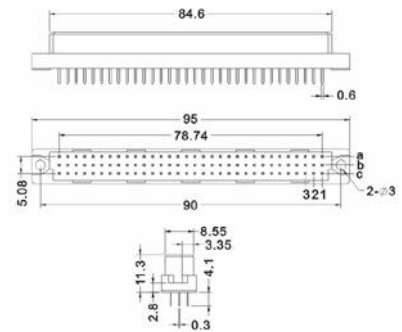
Dielectric Withstanding

Voltage: AC 1000V For 1 minute
 Operating Temperature: -55° C--+105° C
 Contact: Male Brass
 Female Phosphor Bronze
 Housing: PBT &30% Glass Fiber(UL 94V-0)

Вилка



Розетка



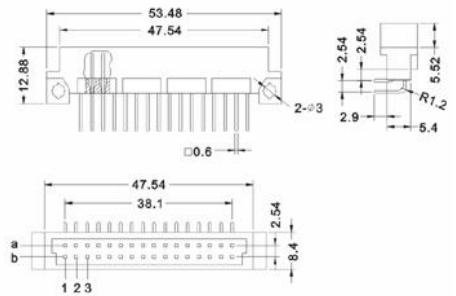
Серия 612В2 двухрядные



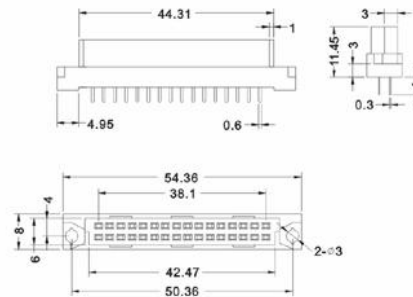
Pitch	Position	Rows with Contacts
2.54mm	32	ab
	16	a-
5.08mm	16	ab
	8	a-

X Length	1	2	W1	W2
Male	2.9mm			
Female	4.0mm	13mm	17mm	

Вилка



Розетка



Specifications:

Contact Resistance: 30mΩ max.at DC 100 mA
 Insulator Resistance: 1000MΩ min.at DC 500V
 Current Rating: 2AMP

Dielectric Withstanding

Voltage: AC 1000V For 1 minute
 Operating Temperature: -55° C--+105° C
 Contact: Male Brass
 Female Phosphor Bronze
 Housing: PBT &30% Glass Fiber(UL 94V-0)

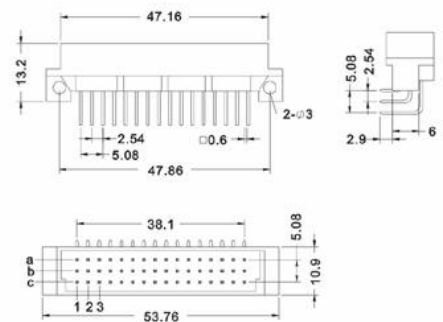
Серия 612C2 трехрядные



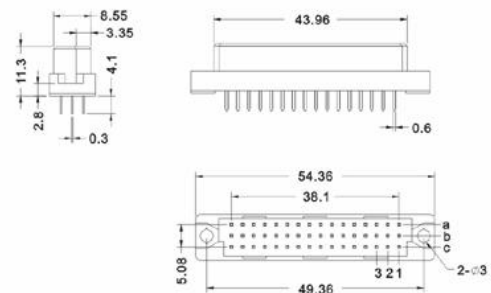
Pitch	Position	Rows with Contacts
2.54mm	96	abc
	64	a-c
5.08mm	48	abc
	32	a-c

X Length	1	2	W1	W2
Male	2.9mm			
Female	4.0mm	13mm	17mm	

Вилка



Розетка



Specifications:

Contact Resistance: 30m Ω max.at DC 100 mA
 Insulator Resistance: 1000M Ω min.at DC 500V
 Current Rating: 2AMP

Dielectric Withstanding

Voltage: AC 1000V For 1 minute
 Operating Temperature:-55° C--+105° C
 Contact: Male Brass
 Female phosphor Bronze
 Housing: PBT &30% Glass Fiber(UL 94V-0)

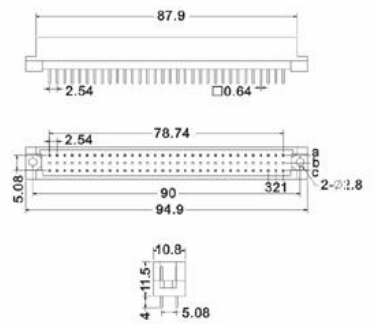
Серия 612R трехрядные



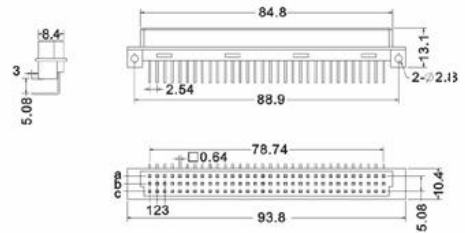
Pitch	Position	Rows with Contacts
2.54mm	96	abc
	64	a-c
5.08mm	48	abc
	32	a-c

X Length	1	2	W1	W2
Male	2.9mm			
Female	4.0mm		13mm	17mm

Вилка



Розетка



Specifications:

Contact Resistance: 30m Ω max.at DC 100 mA
 Insulator Resistance: 1000M Ω min.at DC 500V
 Current Rating: 2AMP

Dielectric Withstanding

Voltage: AC 1000V For 1 minute
 Operating Temperature:-55° C--+105° C
 Contact: Male Brass
 Female Phosphor Bronze
 Housing: PBT &30% Glass Fiber(UL 94V-0)