

## Разъем USB на плату тип А

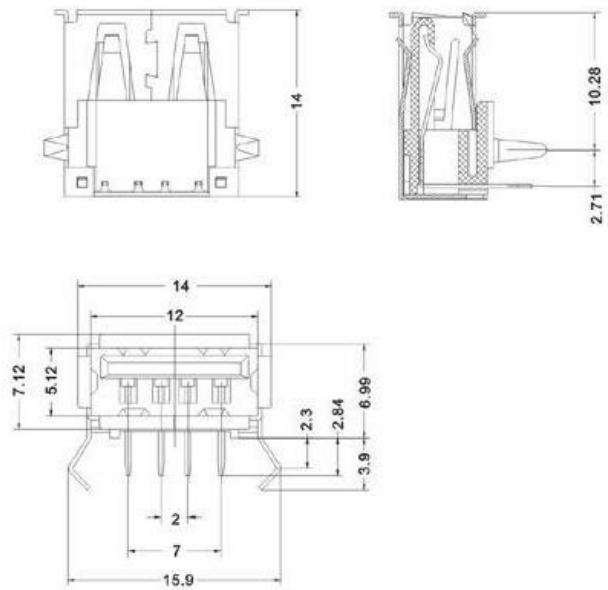


### Specifications:

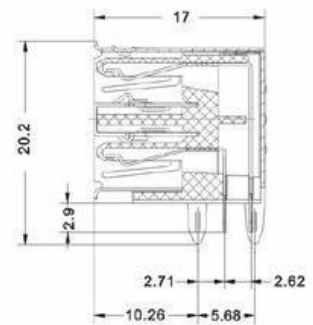
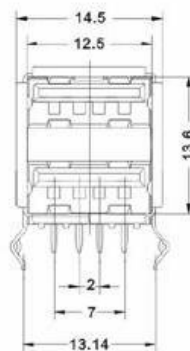
Contact Resistance: 30m  $\Omega$  max.  
Insulator Resistance: 1000M  $\Omega$  min.at DC 500V  
Current Rating: 1AMP  
Voltage Rating: 30V AC

### Dielectric Withstanding

Housing: PBT&30% Glass Fiber(UL 94V-0)  
Contact: Phosphor Bronze  
Dielectric Strength: AC 500V For 1 minute



## Разъем USB на плату сдвоенный тип А



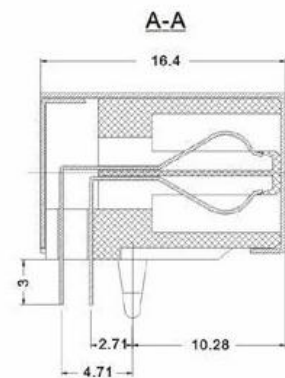
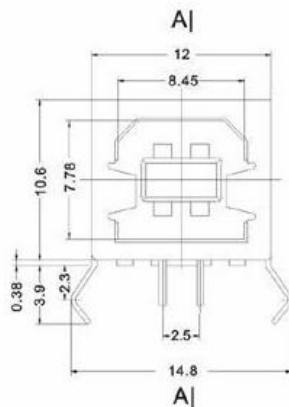
### Specifications:

Contact Resistance: 30m $\Omega$  max.  
Insulator Resistance: 1000M $\Omega$  min.at DC 500V  
Current Rating: 1AMP  
Voltage Rating: 30V AC

### Dielectric Withstanding

Housing: PBT&30% Glass Fiber(UL 94V-0)  
Contact: Phosphor Bronze  
Dielectric Strength:AC 500V For 1 minute

## Разъем USB на плату тип В



### Specifications:

Contact Resistance: 30m  $\Omega$  max.  
Insulator Resistance: 1000M  $\Omega$  min.at DC 500V  
Current Rating: 1AMP  
Voltage Rating: 30V AC

### Dielectric Withstanding

Housing: PBT&30% Glass Fiber(UL 94V-0)  
Contact: Phosphor Bronze  
Dielectric Strength: AC 500V For 1 minute

## Разъм Mini USB-A на кабелъ

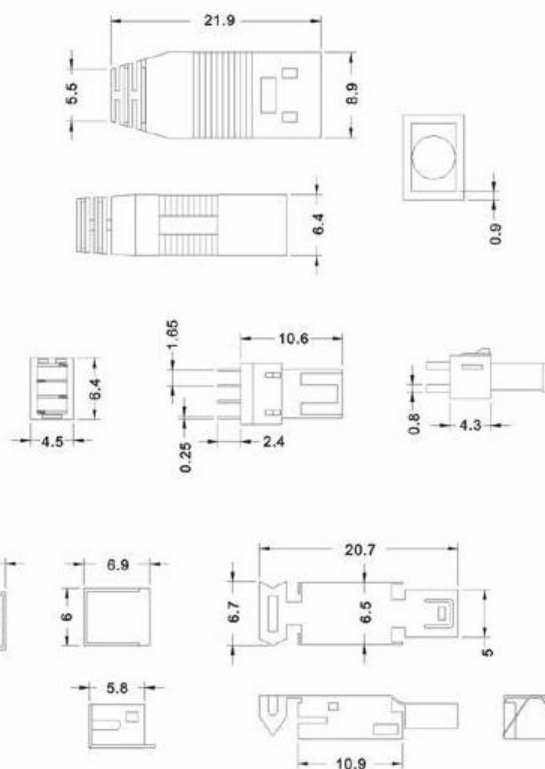


### Specifications:

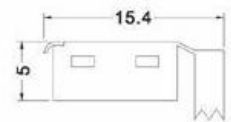
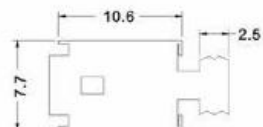
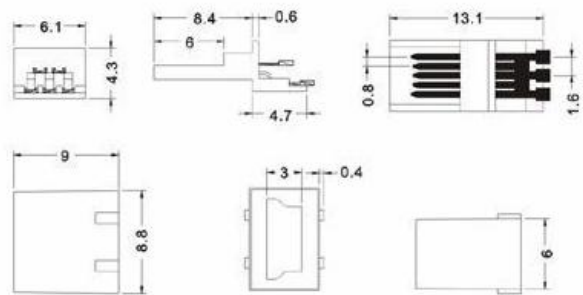
Contact Resistance: 10m  $\Omega$  max.  
Insulator Resistance: 500M  $\Omega$  min.at DC 500V  
Current Rating: 24V DC 1AMP max

### Dielectric Withstanding:

Voltage: AC 500V For 1 minute  
Contact: Brass  
Housing: PBT &30% Glass Fiber(UL 94V-0)



## Разъем Mini USB-A 5 контактов на кабель



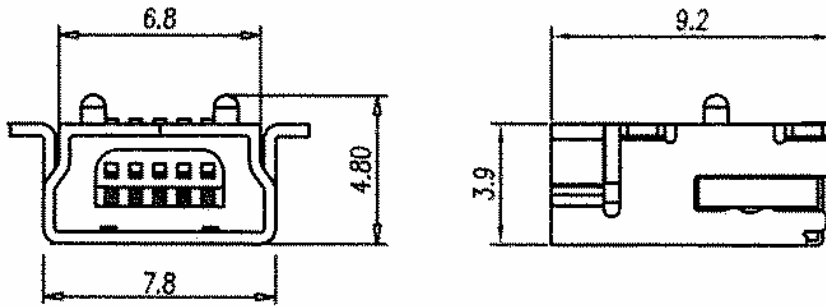
### Specifications:

Contact Resistance: 10m  $\Omega$  max.  
Insulator Resistance: 500M  $\Omega$  min.at DC 500V  
Current Rating: 24V DC 1AMP max

### Dielectric Withstanding:

Voltage: AC 500V For 1 minute  
Contact: Brass  
Housing: PBT &30% Glass Fiber(UL 94V-0)

## Разъём Mini USB 5 контактов на плату



## Разъём IEEE 1394 на плату

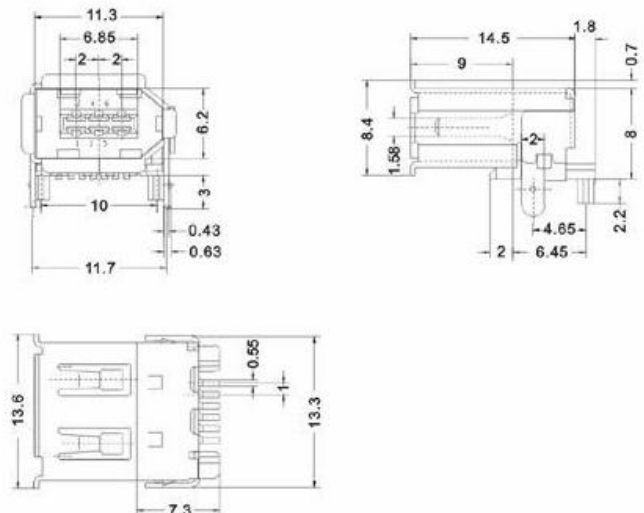


### Specifications:

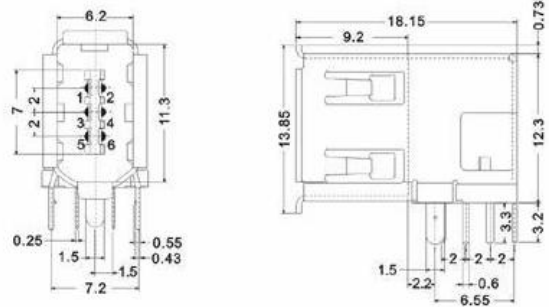
Contact Resistance:  $2\text{m}\Omega$  max  
Insulator Resistance:  $1000\text{M}\Omega$  min. at DC 500V  
Current Rating: 2AMP  
Voltage Rating: 30V AC

### Dielectric Withstanding:

Voltage: AC 500V For 1 minute  
Contact: Copper Alloy  
Housing: Thermoplastic(UL 94V-0)



## Разъем IEEE1394 угловой на плату



### Specifications:

Contact Resistance:  $2m\Omega$  max  
Insulator Resistance:  $1000M\Omega$  min.at DC 500V  
Current Rating: 2AMP  
Voltage Rating: 30V AC

### Dielectric Withstanding:

Voltage: AC 500V For 1 minute  
Contact: Copper Alloy  
Housing: Thermoplastic(UL 94V-0)

