

Купюроприемники

(APEX)

Серия Apex 5000

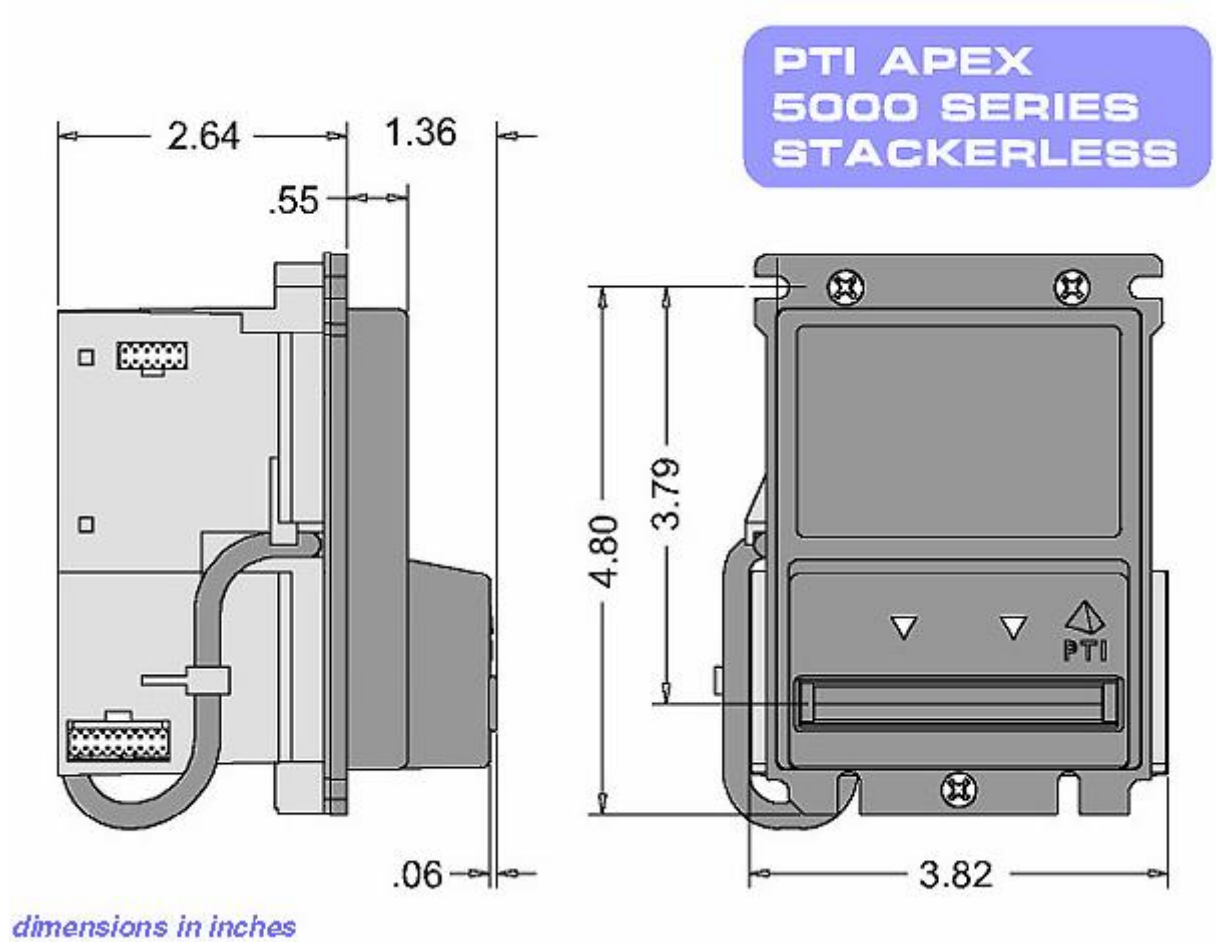


Спецификация:

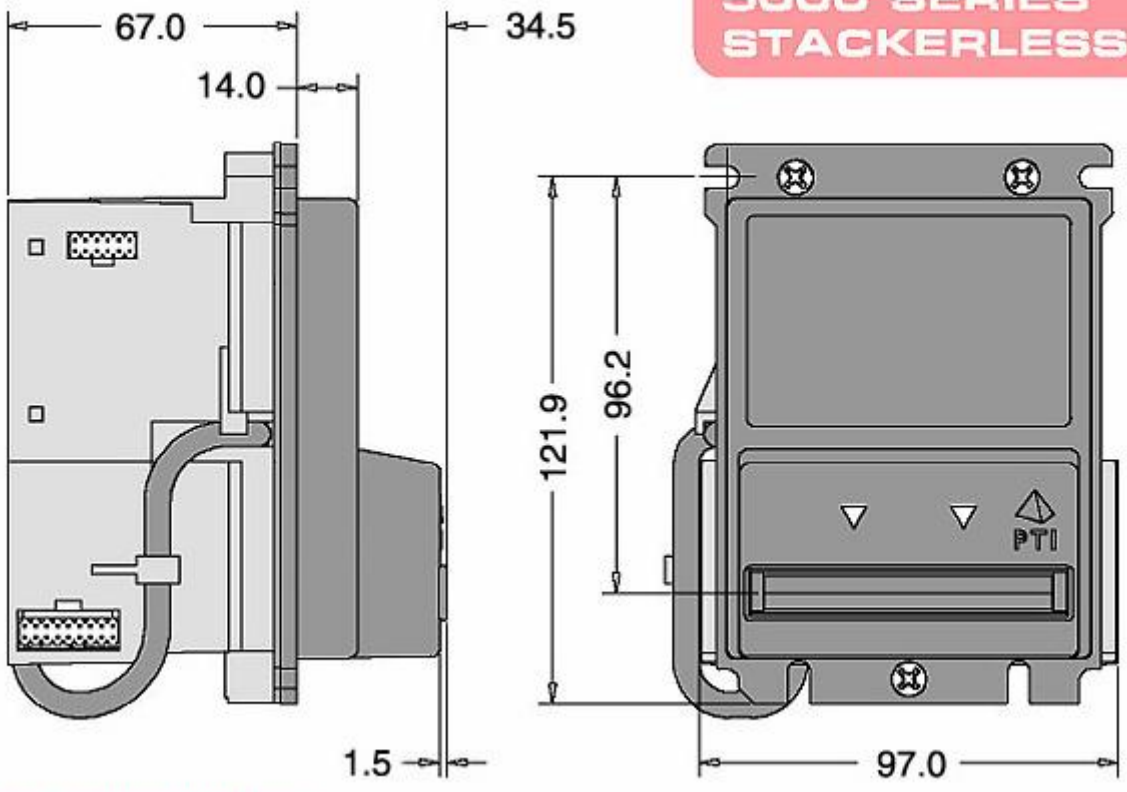
APEX 5000 SPECIFICATIONS

- OPERATING VOLTAGE:** 12VDC standard, 120VAC supply optional.
OPERATING CURRENT: 180mA idle; 500mA operating; 1.50A stalled.
OPERATING TEMP.: 0C to 60C, 90% non-condensing humidity.
ACCEPTANCE RATE: Greater than 95% (including second-time insertion of a rejected bill).
ACCEPTANCE SPEED: Approx. 20 bills per minute.
SENSOR ARRAY: (8) Optical Sensors; (1) Magnetic Head standard on \$50, \$100 version.
BILLS ACCEPTED: Up to 12 bills in all four directions.
NET WEIGHT: Stacked: 2.3 lbs / 1.04 kg.
WARRANTY: 2 years, parts and labor.

Монетоприемник без укладчика

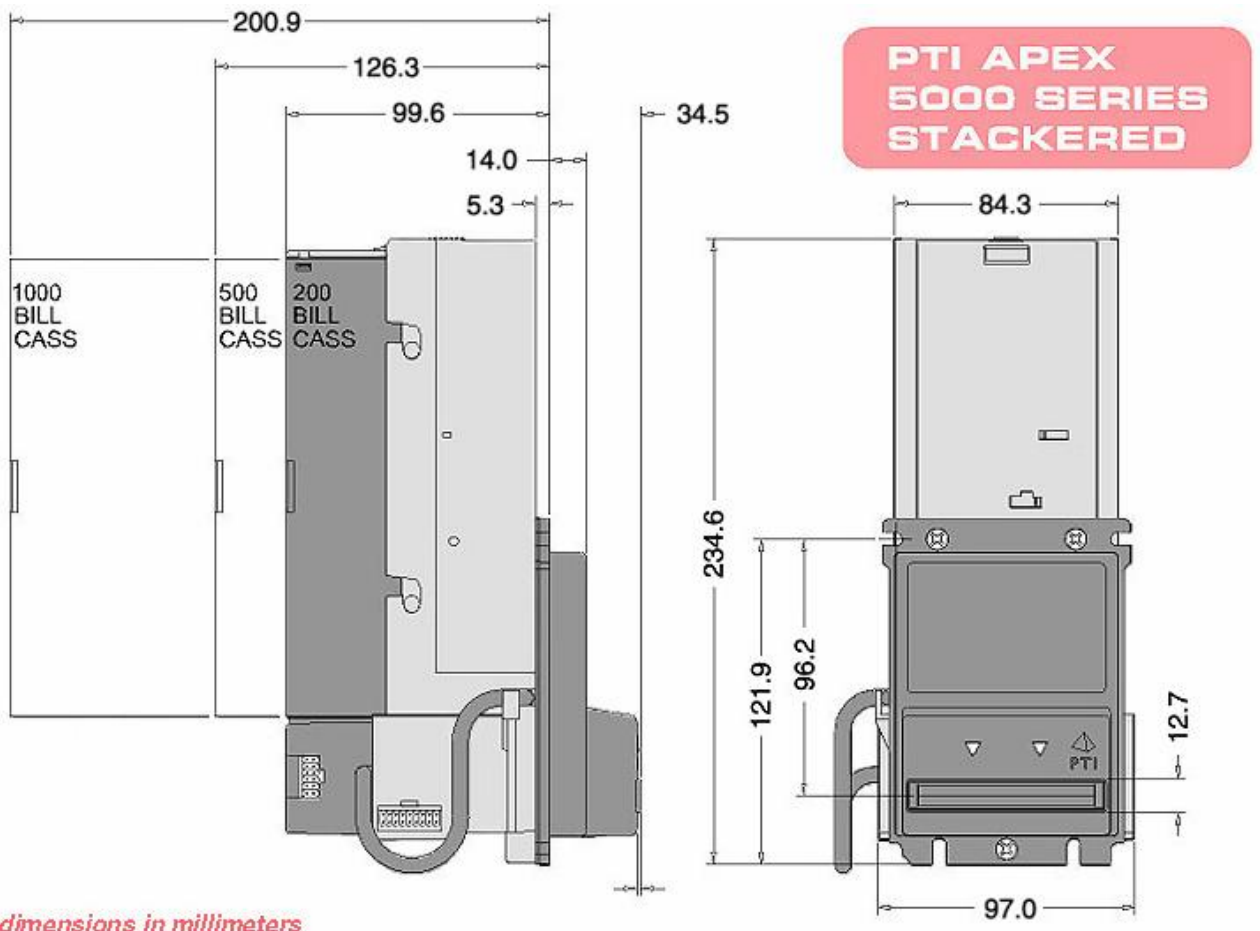


**PTI APEX
5000 SERIES
STACKERLESS**



dimensions in millimeters

Монетоприемник с укладчиком



Серия PTI Trilogy Series



Спецификация:

Operating Voltage: 12 VDC (+/- 10%) standard.

Operating Currents: Idle: 50 mA Accepting: 1.0 A

Stalled: 3.0 A.

Operating Temperature: 0C – 60C, 90 % non-condensing humidity.

Acceptance Rate: Greater than 95%, including second time insertion of a rejected note.

Acceptance Speed: Approx. 20 notes per minute.

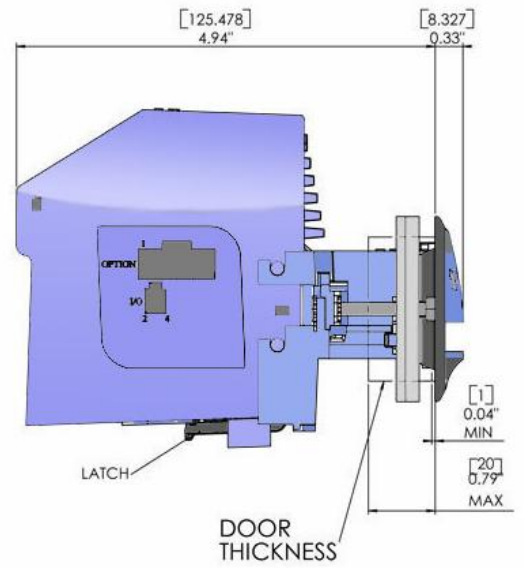
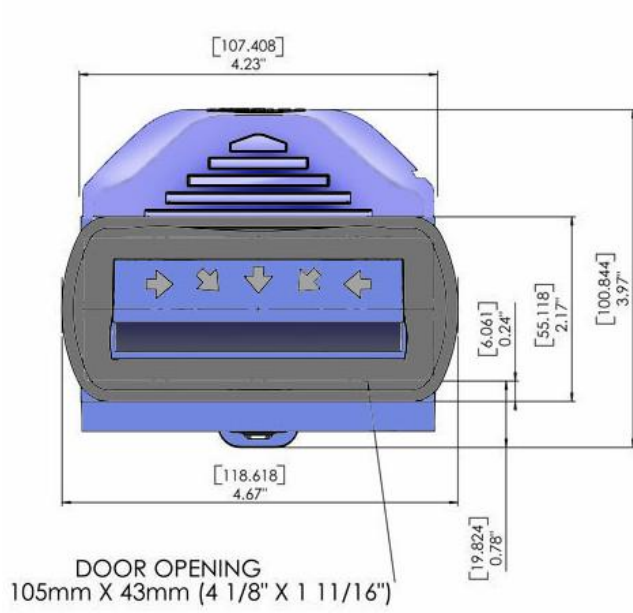
Sensor Array: 10 Optical Sensors.

Notes Accepted: Up to 14 notes in all four directions (56 faces).

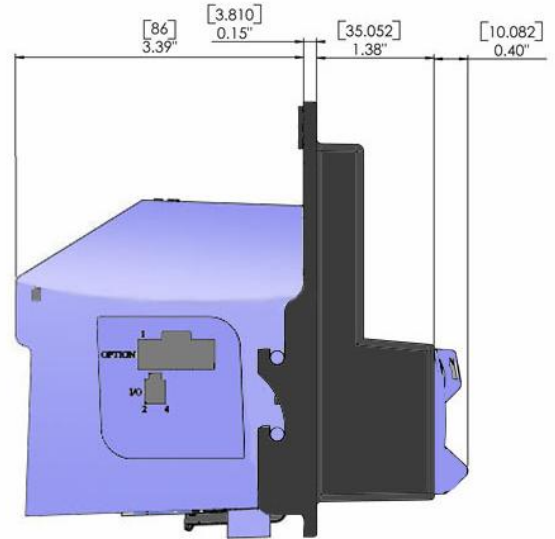
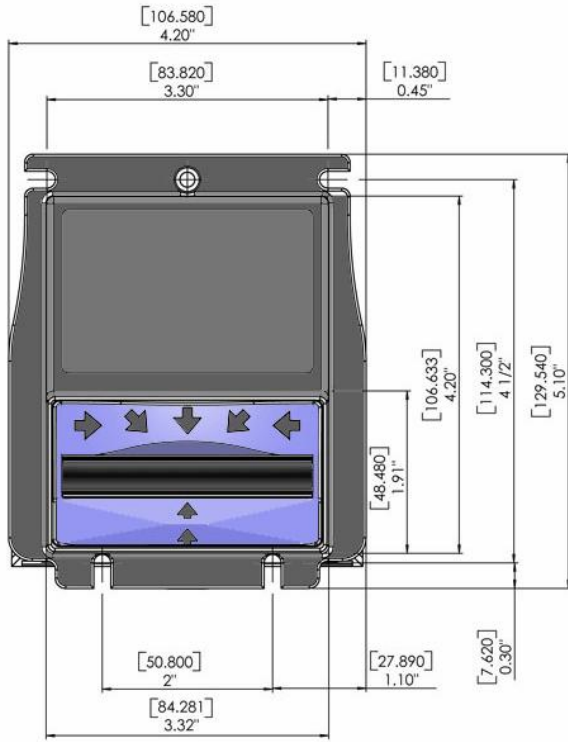
Net Weight: 1.3 lbs./0.59 kg.

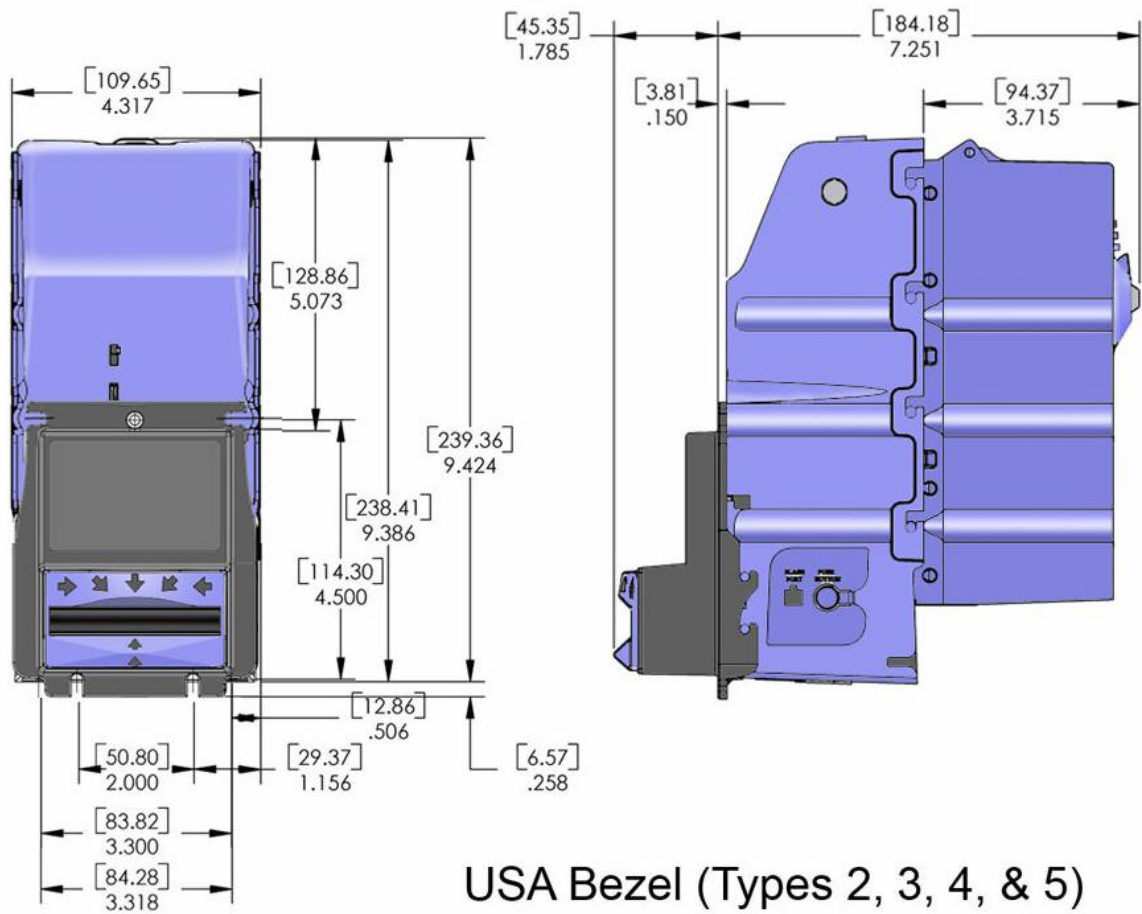
Warranty: 2 years, parts and labor

«EBPO»



«US»





USA Bezel (Types 2, 3, 4, & 5)